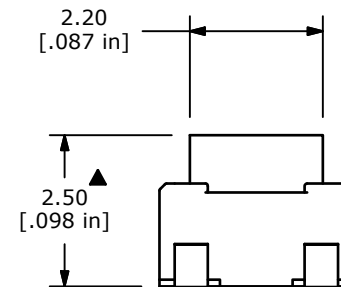
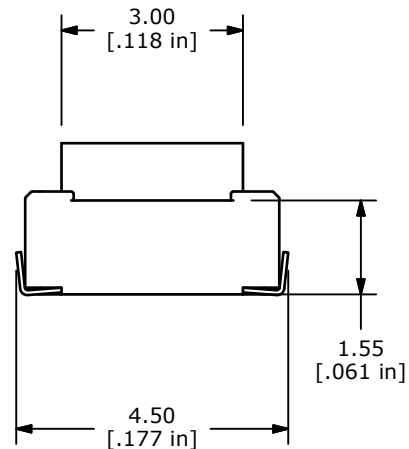
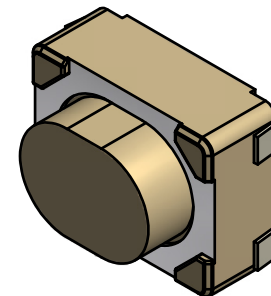
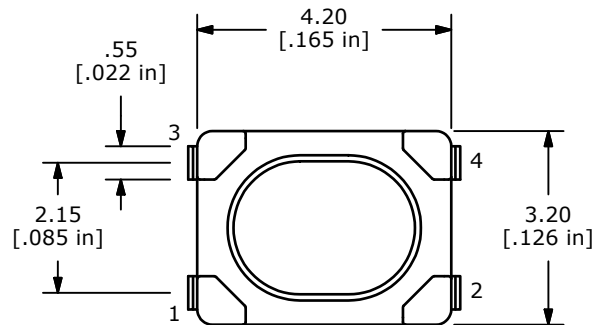


▲ CIRCUIT: SPST

NOTES:

1. ALL DIMENSIONS IN MM [INCH]
 x.x = +/-0.4
 x.xx = +/-0.25
2. TERMINAL NUMBERS FOR REF. ONLY
3. CONTACT MATERIAL: SILVER
4. CONTACT RATING: 50 mA; 12 VDC
5. TRAVEL: 0.2 ±0.1mm
- ▲ 6. OPERATING FORCE: 180± 50 GRAMS
7. ELECTRICAL LIFE: 100,000 CYCLES
8. CONTACT RESISTANCE: 100mΩ MAX.
9. ▲ DENOTES CRITICAL PARAMETER
10. INSULATION RESISTANCE: 100MΩ MIN @ 100VDC.
11. DIELECTRIC STRENGTH: 250VAC FOR 1 MINUTE WITH NO BREAK DOWN
12. 2002/95/EC (ROHS) COMPLIANT; HALOGEN FREE



TITLE TL3365AF180QG

A	22163	New Release	2/17/16	rc
REV	PCR NO	DESCRIPTION	DATE	BY

SCALE	DATE	DR	DWG	REV
8:1	2/15/2016	rc	P003110	A

THE INFORMATION CONTAINED IN THIS DOCUMENT IS PROPRIETARY TO E-SWITCH AND IS NOT TO BE COPIED OR TRANSFERRED